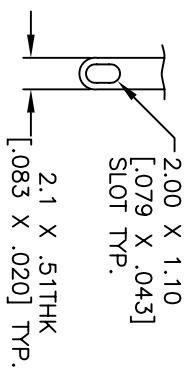


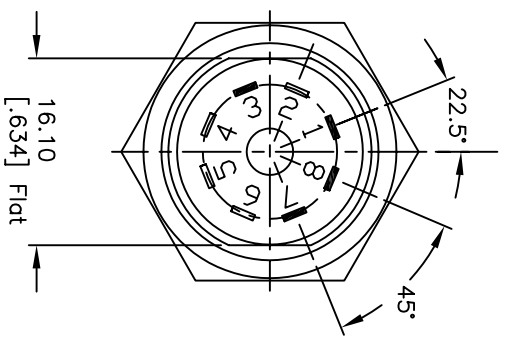
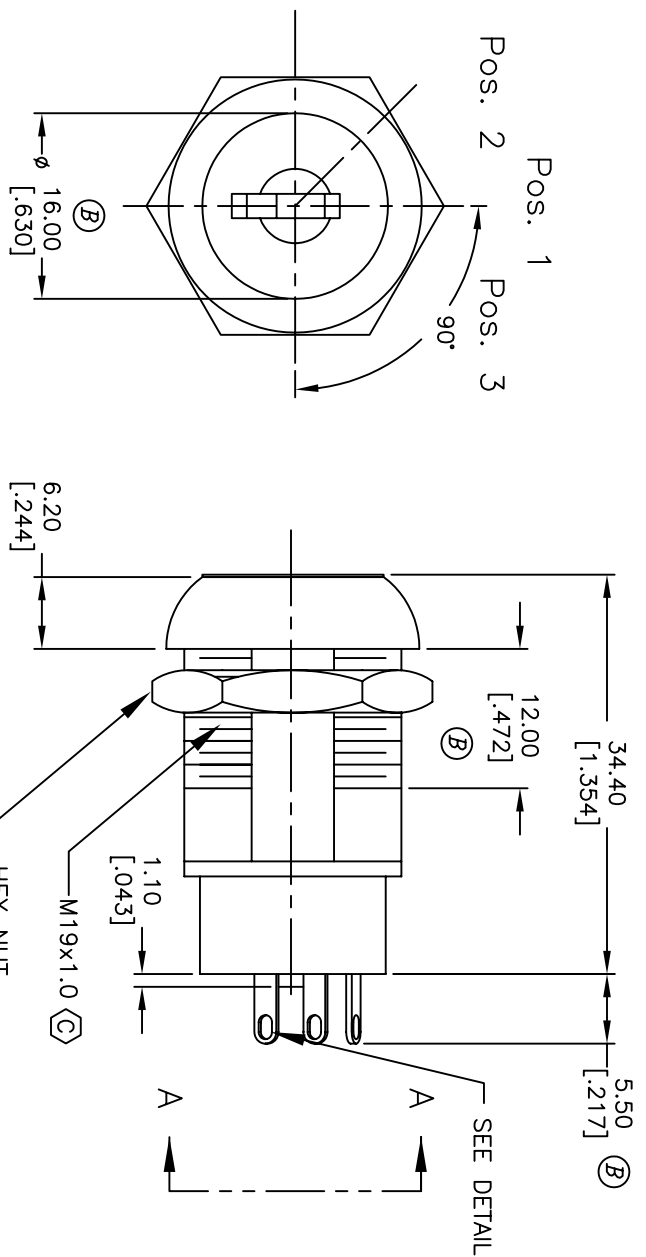
RECOMMENDED PANEL LAYOUT



TERMINAL DETAIL  
SCALE 2X

NOTES:

1. ALL DIMENSIONS IN MM [INCH]
2. GENERAL TOLERANCE: X.X=±0.4  
X.XX=±0.25
3. TERM. NOS. FOR REF. ONLY
4. CONTACT RATING: 4A @125VAC/28VDC, 2A @250VAC
5. DIELECTRIC STRENGTH: 1KV RMS min. at sea level
6. ELECTRICAL LIFE: 10,000 make-and-break cycles at full load.
7. MATERIALS:  
CONTACTS: Silver Plated CU (Q Contact material)  
TERMINALS: Silver Plated Cu (Q Contact material)  
MOUNTING NUT: Nickel Plated zinc alloy  
CONTACT SPRING: Piano Wire  
KEYS: (QTY. 2) Brass with code no. A126  
LOCK: Bright Ni plated zinc alloy with NI facing  
TUMBLER Mechanism: 4-disc tumbler cylinder.

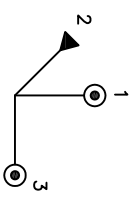


LEGEND

- =Detent Positions (45°)
- ⊙ =Key pull possible in these positions
- ▲ =MOMENTARY POS.

CIRCUIT: SP (45°/90 INDEXING)  
CONTACT CONFIGURATION

| SWITCH FUNCTION | CONNECTED TERMINAL # |
|-----------------|----------------------|
| POS. 1          | POS. 2               |
| 8-1             | 8-7                  |
|                 | 1-3                  |



| REV. | ECN No. | DESCRIPTION                | DATE     | CHKD |
|------|---------|----------------------------|----------|------|
| C    | 19509   | CHANGED THREAD DESCRIPTION | 12/09/10 | BGL  |
| B    | 11566   | REVISED                    | 7/13/01  | CJB  |

| TITLE       |  | SCALE | DATE    | DR | DWG     | REV |
|-------------|--|-------|---------|----|---------|-----|
| K0129A-A126 |  | 1:1.5 | 7/13/01 | CB | K200207 | C   |



THE INFORMATION CONTAINED IN THIS DOCUMENT IS PROPRIETARY TO E-SWITCH AND IS NOT TO BE COPIED OR TRANSFERRED